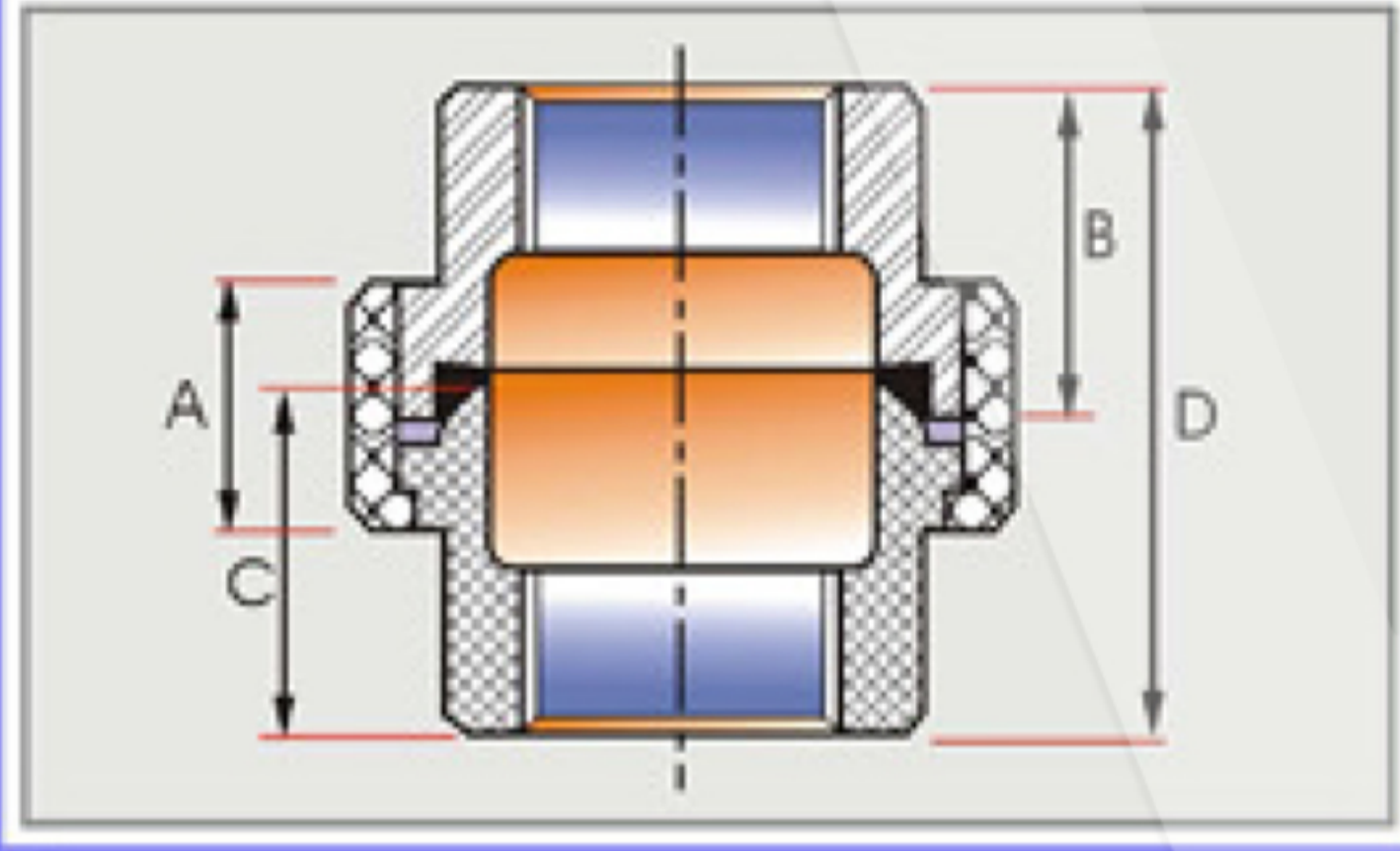


PACKING LISTS and SPECIFICATION STANDARD

MALLEABLE IRON PIPE FITTINGS CLASS 150 lbs.

UNIONS CONICAL BRASS SEAT

BCU



Size (inch)	Dimensions				Inner Box Pcs./Box	Master Ctn. Pcs./Ctn.	NO.of Inner Box	Weight/Pcs.	N.W./Ctn. (Kgs.)
	A	B	C	D					
1/8	14.0	16.5	17.50	32.0	60	240	4	0.0579	14
1/4	15.5	18.5	20.25	36.6	20	240	12	0.0950	23
3/8	16.0	21.0	22.75	40.9	40	160	4	0.1567	25
1/2	17.0	23.0	25.25	43.7	50	100	2	0.1951	20
3/4	18.5	25.5	27.75	49.3	35	70	2	0.2730	19
1	20.0	27.0	30.00	52.3	20	40	2	0.4130	17
1 1/4	24.0	30.0	35.00	57.4	15	30	2	0.6168	19
1 1/2	25.5	33.0	38.00	61.2	10	20	2	0.7960	16
2	27.0	37.0	41.00	69.8	6	12	2	1.2096	15
2 1/2	29.5	42.0	45.50	81.8	4	8	2	2.0320	16
3	32.5	47.0	50.00	88.9	4	8	2	2.7010	22
4	39.0	58.0	60.50	97.8	2	4	2	4.5850	18

* THE ACTUAL WEIGHT CAN VARY BY $\pm 3\%$